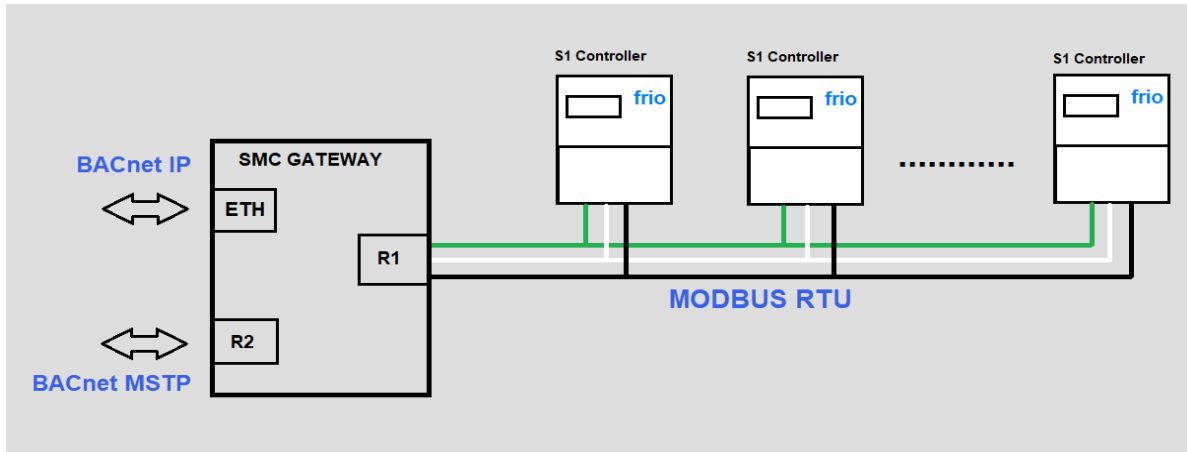


# FRIO BACNET CONFIGURATION FORM

The information provided on form will be used by Frio to configure the SMC Gateway and the Frio S1 Controllers in accordance with the topology shown in the next image. Please complete one form per gateway.



## CUSTOMER INFORMATION

<b>Name</b>	
<b>Company Name</b>	
<b>Phone Number</b>	
<b>Email Address</b>	
<b>Job Name</b>	
<b>Job Number</b>	
<b>Job Address</b>	
<b>Ship To Address</b>	

## GATEWAY INFORMATION

<b>Gateway Name</b>	
<b>Enclosure Required?</b>	<input type="checkbox"/> YES (Gateway in NEMA 4X enclosure w/power supply) <input type="checkbox"/> NO (Gateway only)
<b>BACnet Programming?</b>	<input type="checkbox"/> BY BMS CONTRACTOR (Typical method, <a href="http://www.frio.co/resources">www.frio.co/resources</a> for programming guide) <input type="checkbox"/> BY FRIO (Please fill out page 2)
<b># of S1's on Gateway</b>	
<b>Frio S1 Names</b> <i>(The names that will appear in the BMS)</i>	<input type="checkbox"/> DEFAULT NAMES (S1's will appear as "Frio 1", "Frio 2", etc.) <input type="checkbox"/> CUSTOM NAMES (List desired Frio S1 Names below)



### SMC BACNET IP SETTINGS (FILL IN IF APPLICABLE)

<b>Gateway IP Setting</b>	<input type="checkbox"/> DHCP Mode <input type="checkbox"/> STATIC IP Mode (Please provide the following) <table border="1" style="margin-left: 20px;"> <tr> <td style="width: 150px;"><i>IP Address</i></td> <td></td> </tr> <tr> <td><i>Netmask</i></td> <td></td> </tr> <tr> <td><i>Default Gateway</i></td> <td></td> </tr> <tr> <td><i>Domain Name Server 1</i></td> <td></td> </tr> <tr> <td><i>Domain Name Server 2</i></td> <td></td> </tr> </table>	<i>IP Address</i>		<i>Netmask</i>		<i>Default Gateway</i>		<i>Domain Name Server 1</i>		<i>Domain Name Server 2</i>	
<i>IP Address</i>											
<i>Netmask</i>											
<i>Default Gateway</i>											
<i>Domain Name Server 1</i>											
<i>Domain Name Server 2</i>											
<b>Security Mode</b>	<input type="checkbox"/> HTTP <input type="checkbox"/> HTTPS (Requires coordination with IT department, please contact Frio. For more information on "Security Mode" please refer to section 6 in: <a href="https://msa.webdamdb.com/bp/#/folder/9069681/118191016">https://msa.webdamdb.com/bp/#/folder/9069681/118191016</a> )										
<b>Will the gateway be on a BACnet Network with other devices?</b>	<input type="checkbox"/> NO <input type="checkbox"/> YES (Please provide available BACnet Device Instance Numbers, one per Frio S1)										

### SMC BACNET MS/TP SETTINGS (FILL IN IF APPLICABLE)

<b>Baud Rate</b>	<input type="checkbox"/> 9600 <input type="checkbox"/> 19200 <input type="checkbox"/> 38400 <input type="checkbox"/> 76800 <input type="checkbox"/> 115200
<b>Parity</b>	<input type="checkbox"/> None <input type="checkbox"/> Odd <input type="checkbox"/> Even
<b>Data Bits</b>	<input type="checkbox"/> 8 <input type="checkbox"/> 7
<b>Stop Bits</b>	<input type="checkbox"/> 1 <input type="checkbox"/> 3
<b>Mode</b>	<input type="checkbox"/> Master <input type="checkbox"/> Slave
<b>MAC Address</b>	(NOTE: The MAC address must be unique across the network. Valid MS/TP MAC addresses are 0-127 for master devices and 0-254 for slave devices.)